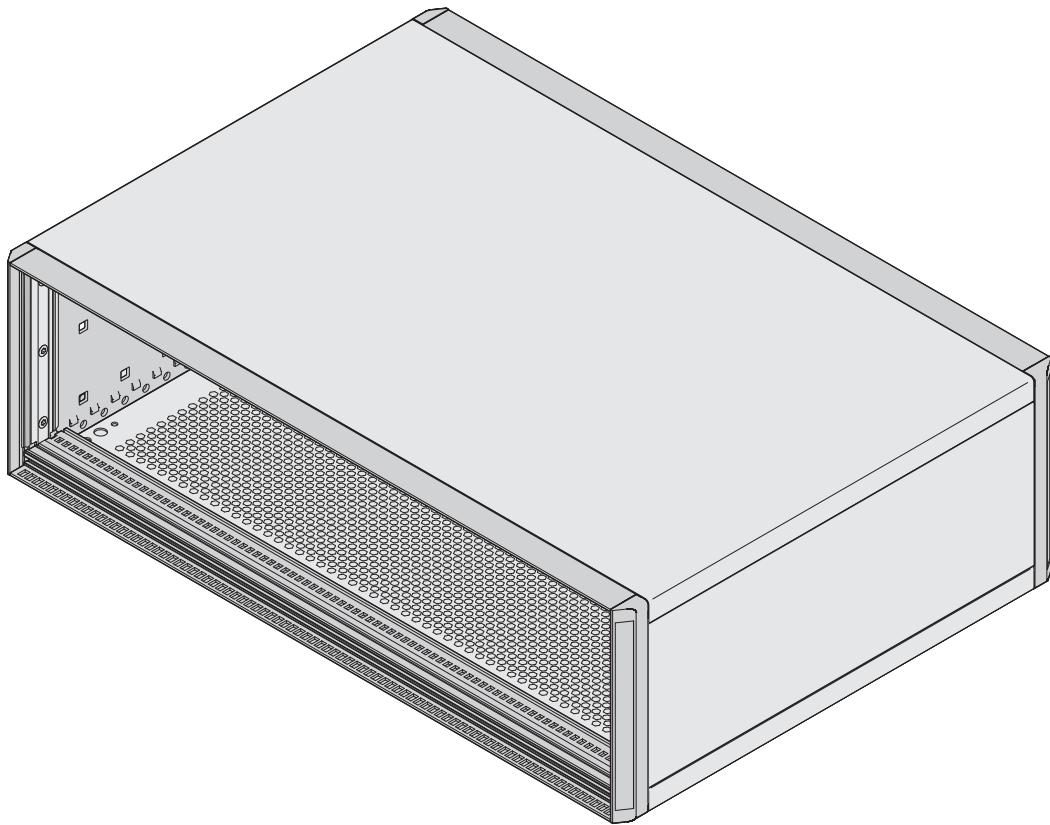
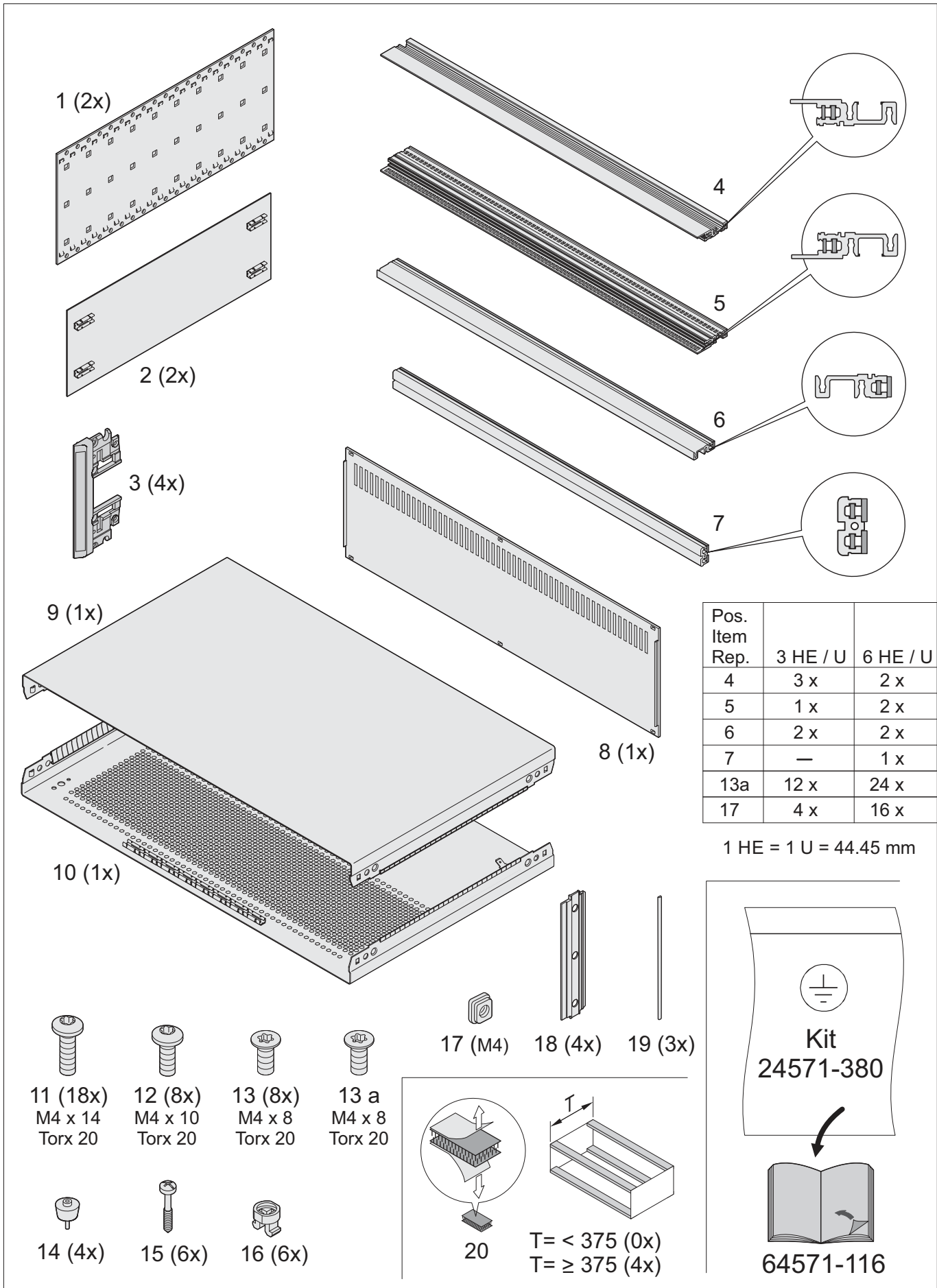


Benutzeranleitung
ratiopacPRO
geschirmt

User Manual
ratiopacPRO
shielded

Instructions utilisateur
ratiopacPRO
blindé



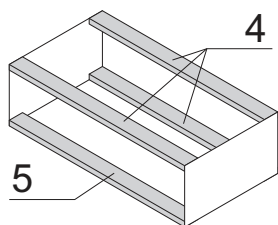


Pos. Item Rep.	3 HE / U	6 HE / U
4	3 x	2 x
5	1 x	2 x
6	2 x	2 x
7	—	1 x
13a	12 x	24 x
17	4 x	16 x

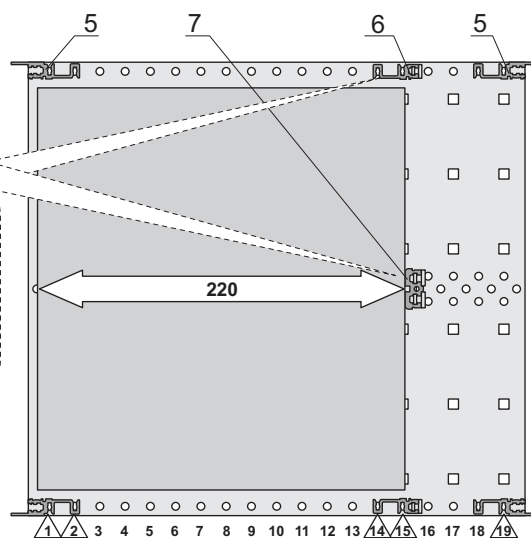
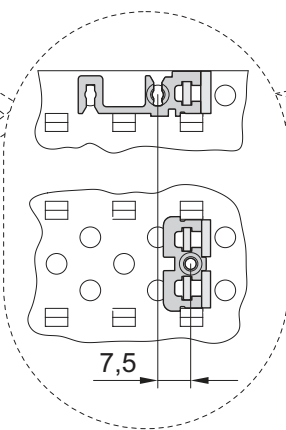
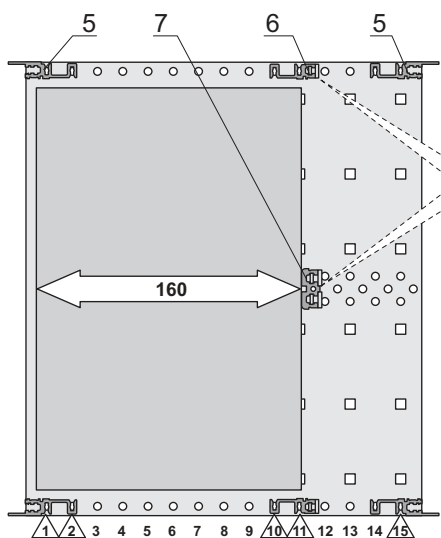
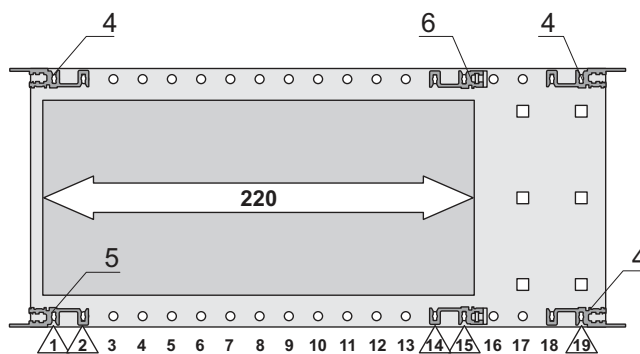
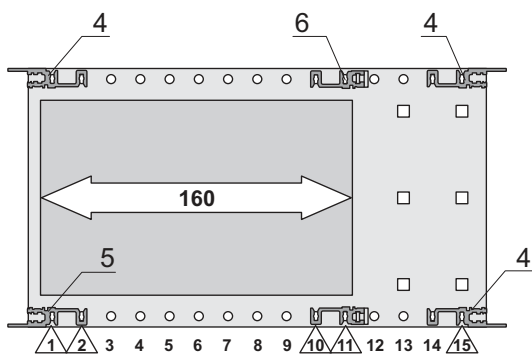
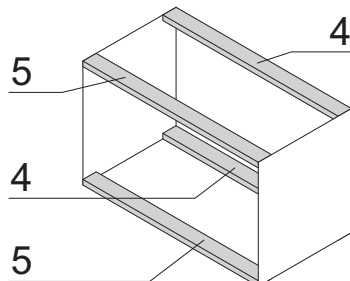
1 HE = 1 U = 44.45 mm



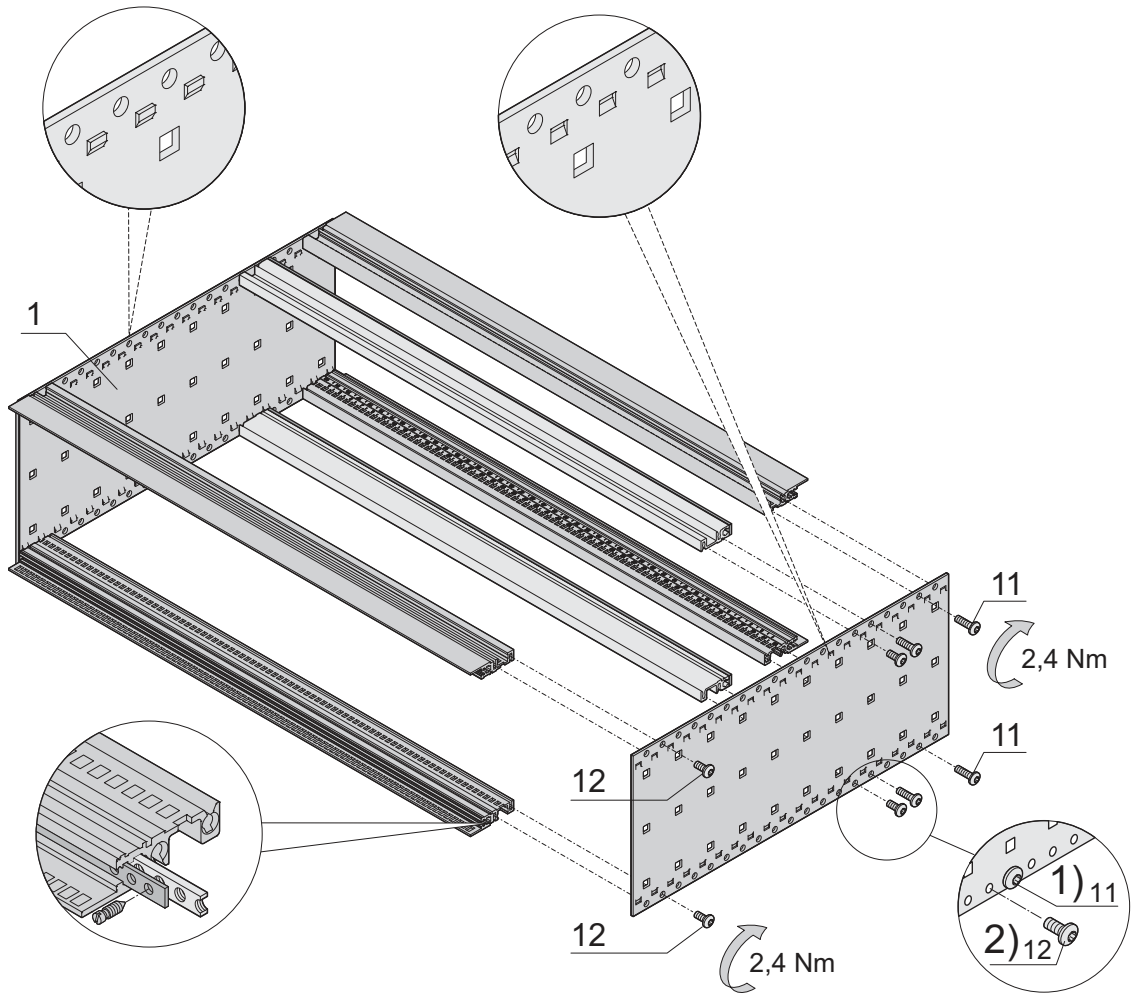
3 HE / U



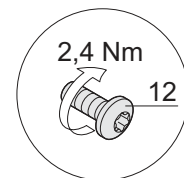
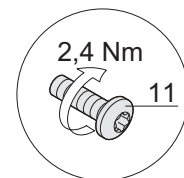
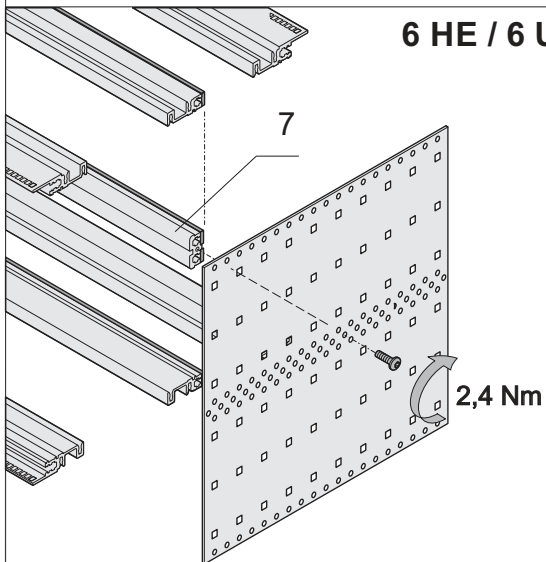
6 HE / U

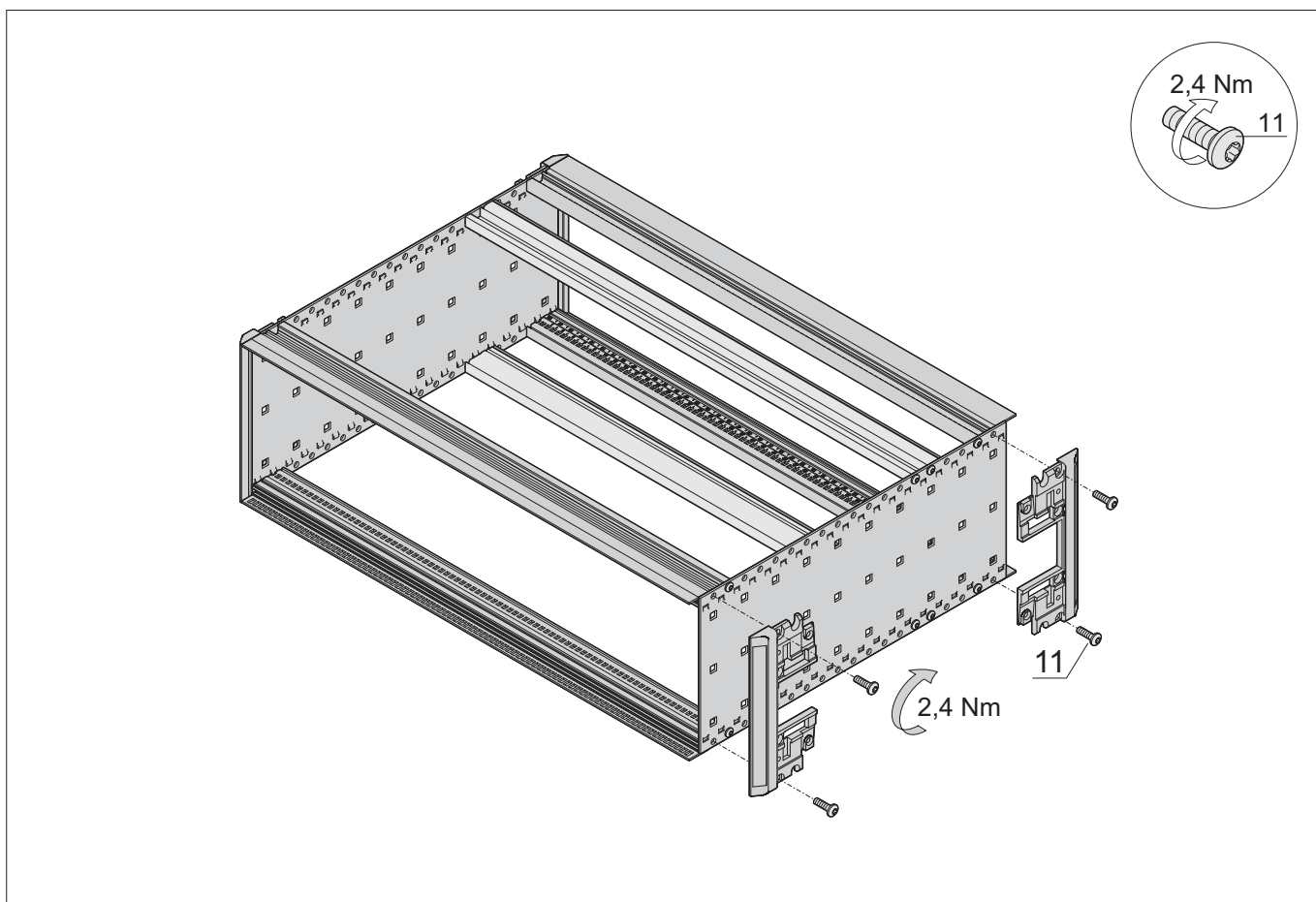


3 HE / 3 U

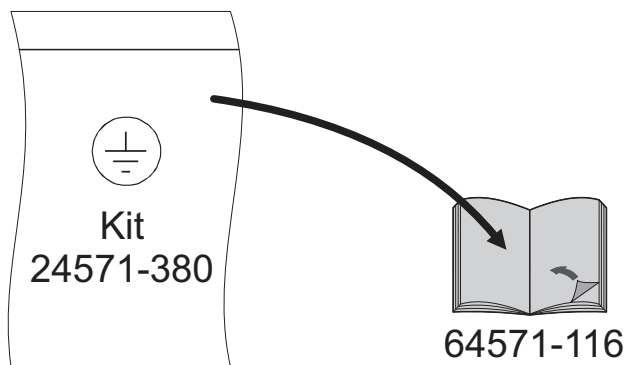


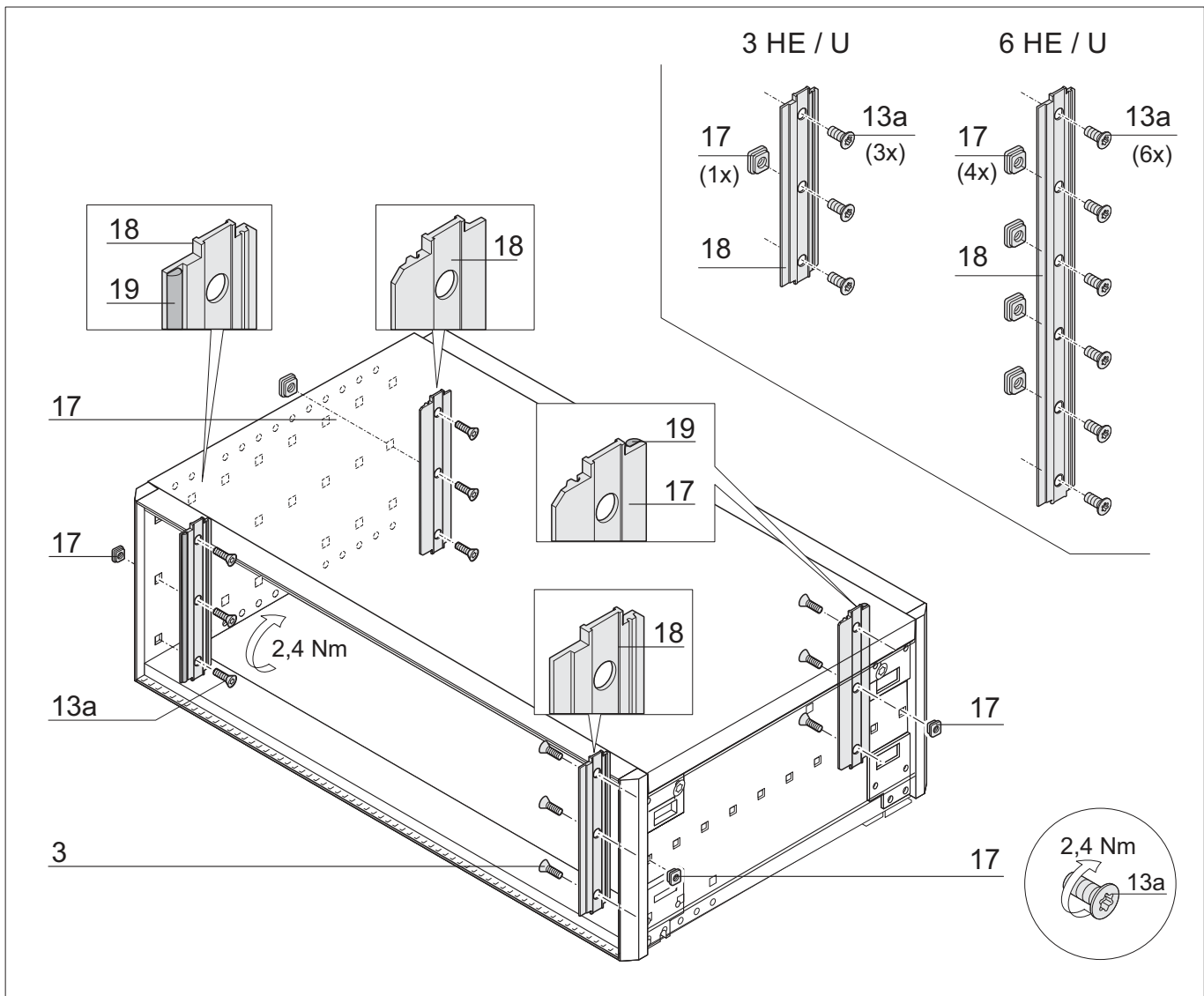
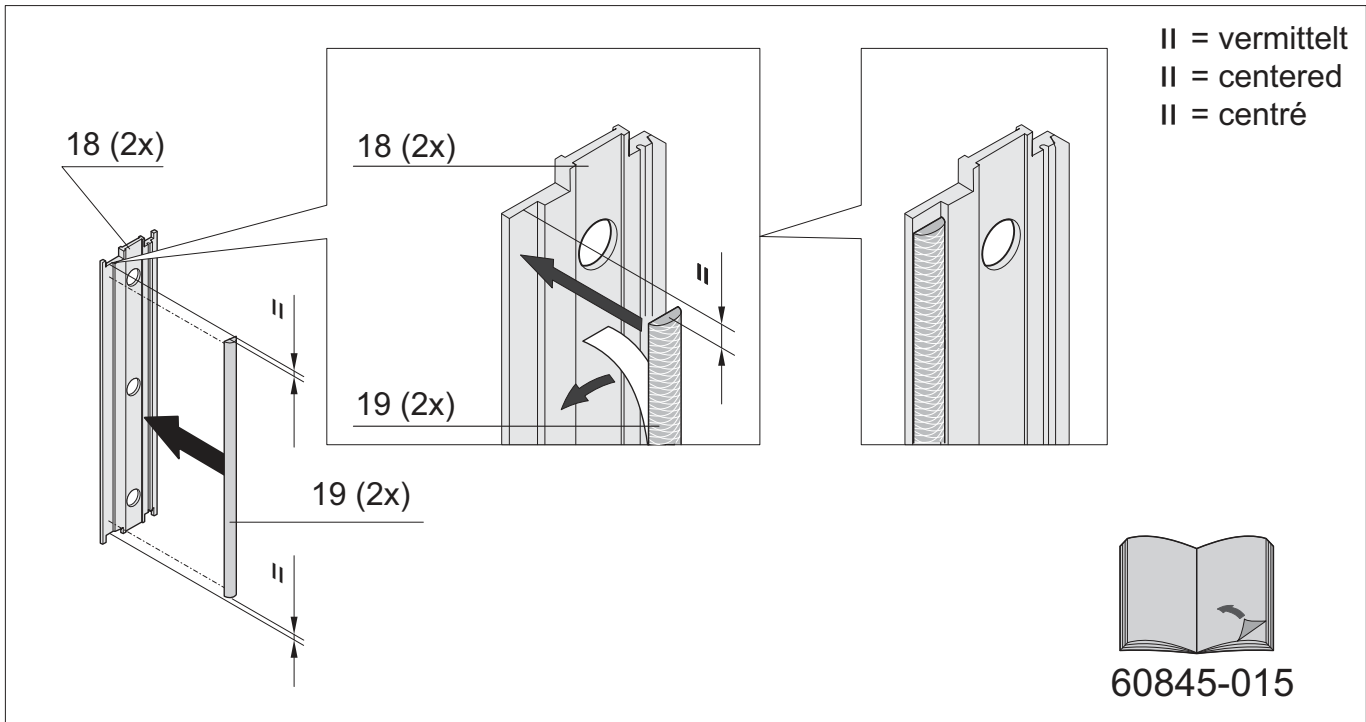
6 HE / 6 U

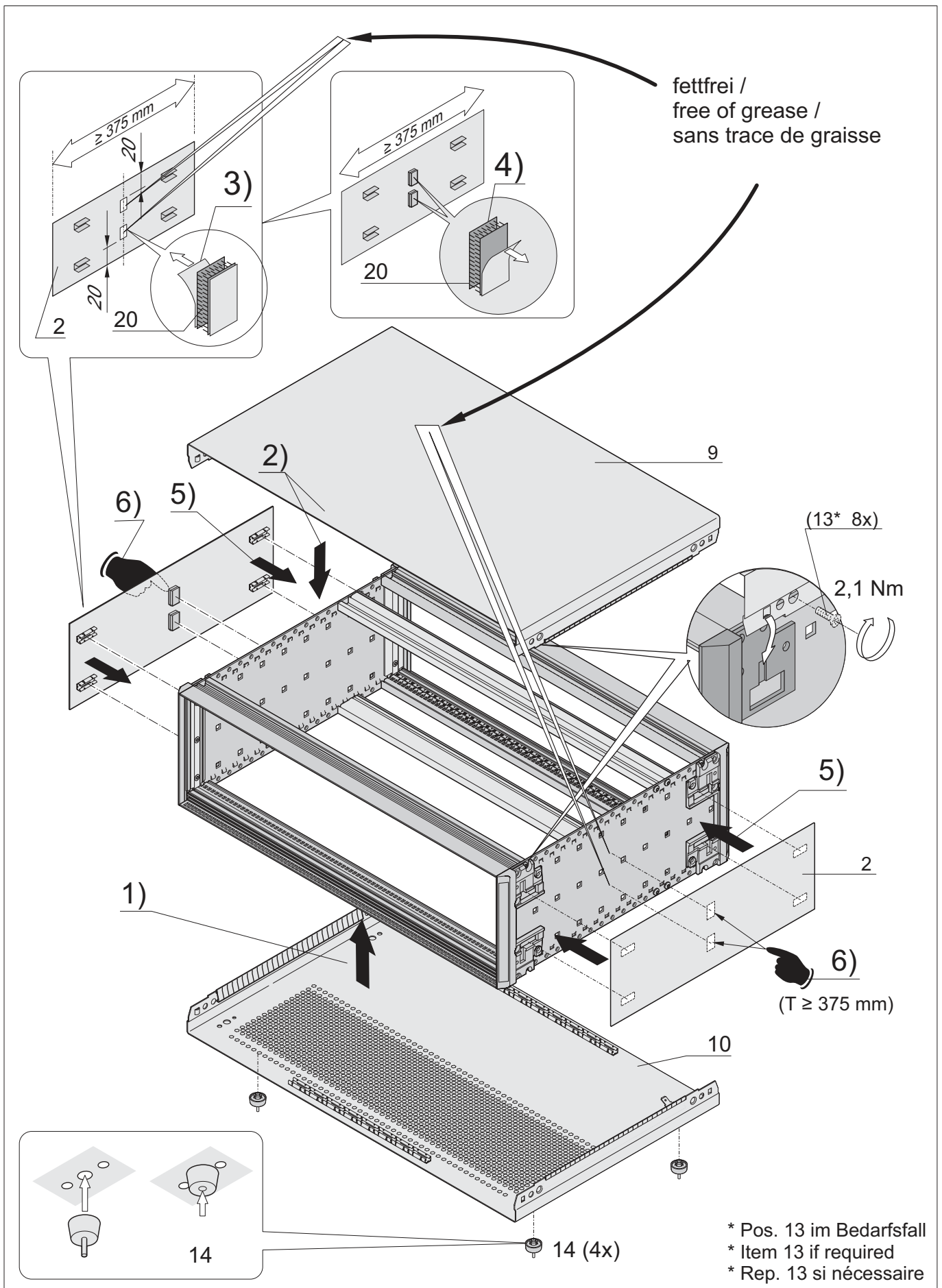




Erdung
Earthing
Mise à la masse







II = vermittelt
 II = centered
 II = centré

